



# BlueROV2 Camera Pod

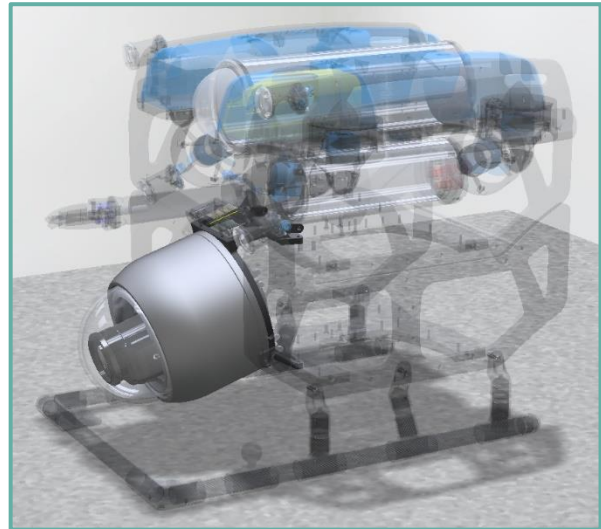
## Product Description

The MarineSee Camera Pod is used in conjunction with the Camera Pod Sled.

The pod contains a chassis that can be custom built to fit a selection of cameras.

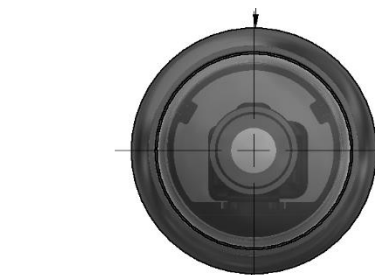
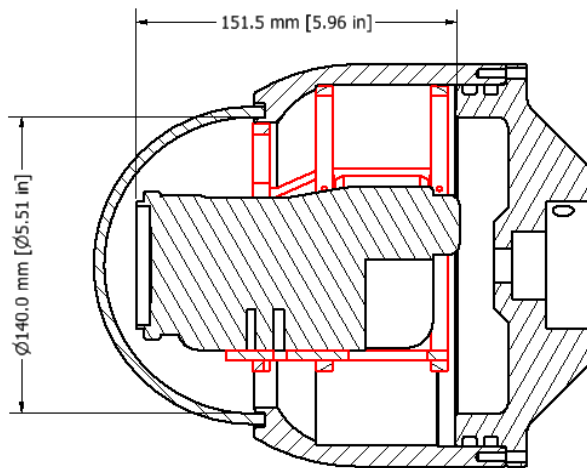
The housing end cap is fitted with a vent valve to assist assembly.

Note: Camera not included.

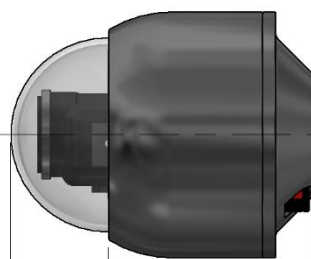


## Specifications

Housing	Grey PVC
Frame and chassis	PETG thermoplastic polyester
Weight in air	1.5Kg
Weight in water	TBA

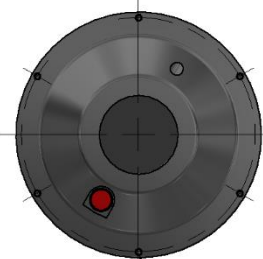


Ø190.0 mm [Ø7.48 in]



129.0 mm [5.08 in]

235.0 mm [9.25 in]



6 x M5 Holes  
Equispaced on a  
181mm PCD



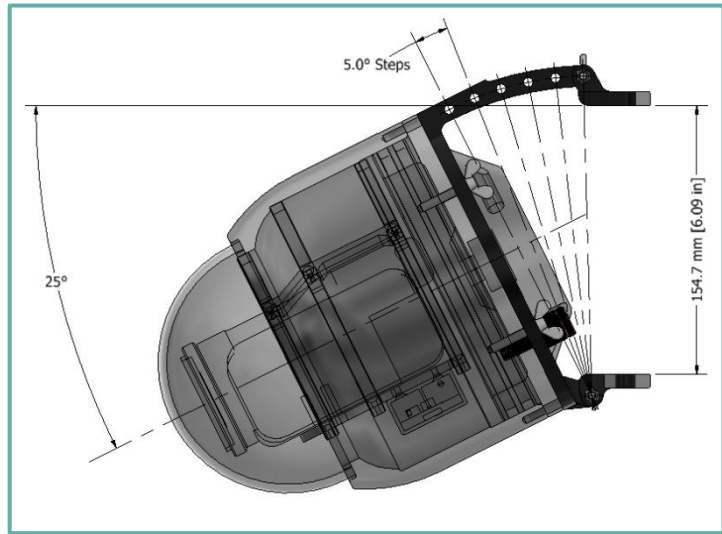
# Camera Pod Mounting

## BlueROV2 Camera Pod Mount

This mount has been specifically designed for the BlueROV2.

It can be tilted down in 5° steps to a maximum of 25°.

The bracket also has mounting holes for the 100mm Laser Scaler.



The Camera Pod shown with the Sled and 100mm Laser Scaler

