

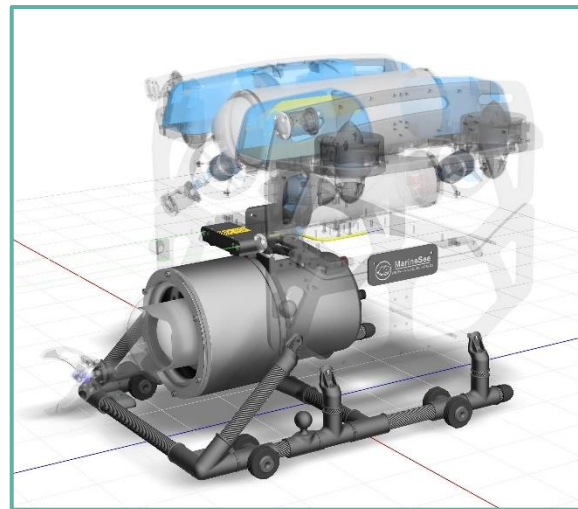


BlueROV2 Camera Sled

Product Description

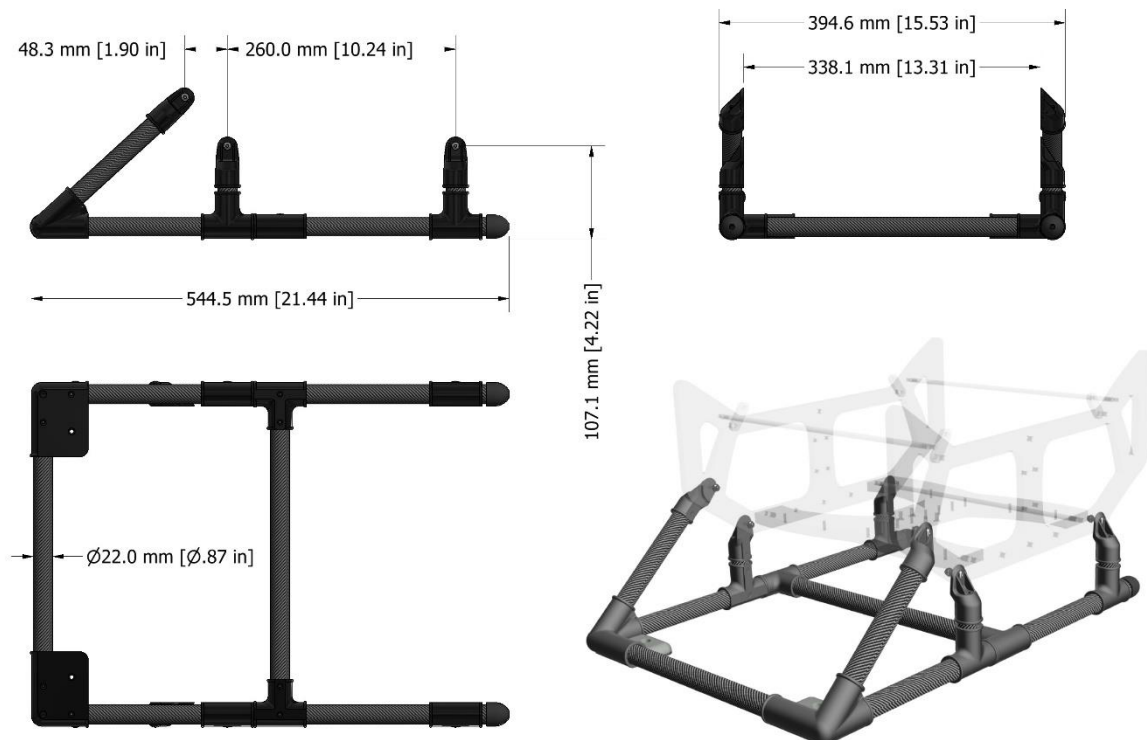
The MarineSee Camera Sled is used in conjunction with the Camera Pod to provide protection, lighting mounts and additional ballast.

The front bar can be supplied filled with lead shot. Further additional trip ballast can be added using Blue Robotics stainless steel ballast weights.



Specifications

Tube	Carbon Fibre
Tube Joints	PETG thermoplastic polyester
Weight in air – without additional ballast	1.7Kg
Weight in air – with additional ballast	TBA
Weight in water – with additional ballast	TBA



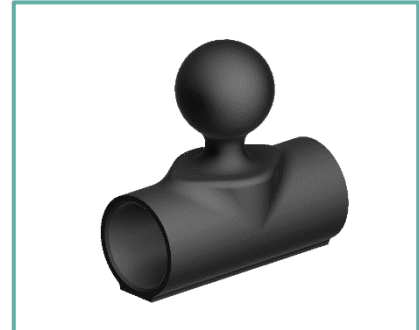


Camera Sled Mounting

Sled 1" Ball Mount

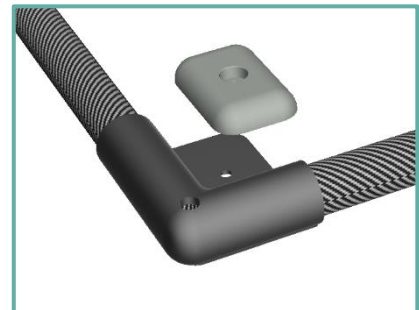
This mount has been specifically designed to mount to the BlueROV2 Sled.

The 1" ball joint is a universal mount that is compatible with a wide range of equipment mounting components.



Ballast Weight Bracket

To assist with trimming the ballast, the sled has a corner bracket to which additional Blue Robotics 200g stainless steel ballast weights can be attached.



The Sled shown with the MarineSee BlueROV2 ZCAM Pod and Laser Scaler

